

Stair-climbing hand truck that lifts and carries

Swedish-made hydraulic stair-climbing hand truck that lifts 500 kg.

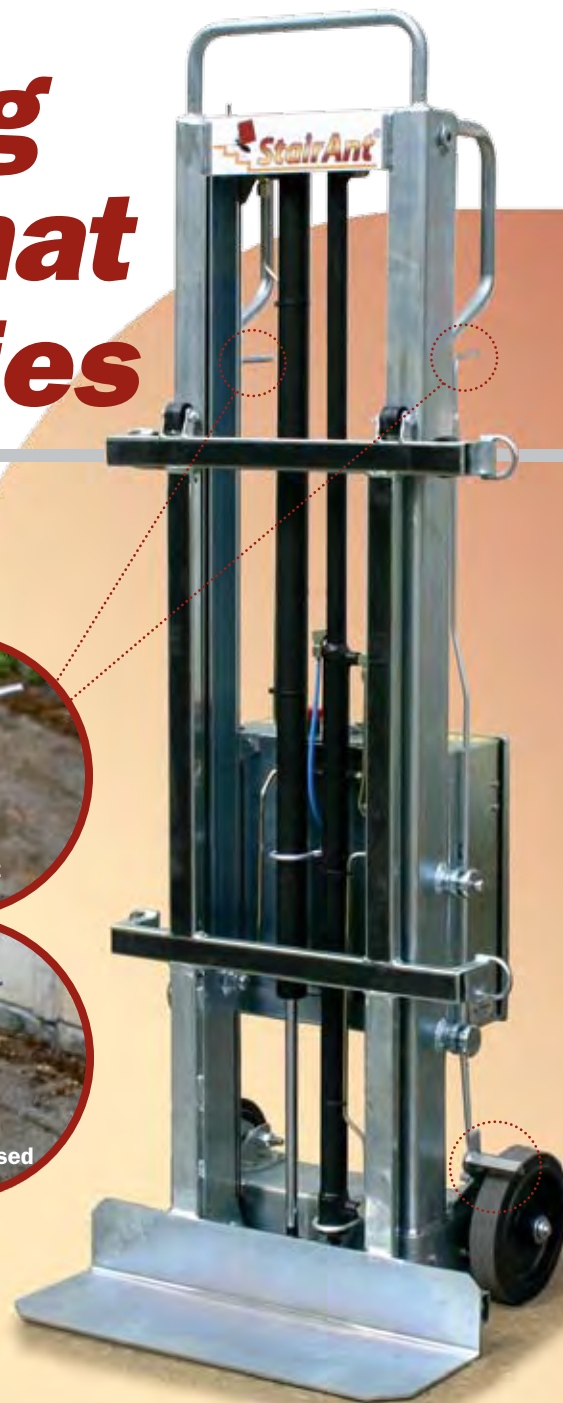
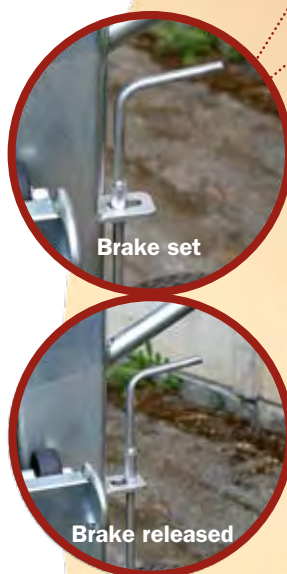
StairAnt, the worker ant that saves backs and keeps personnel from wearing out before their time.

StairAnt features three steel frames: wheel frame, foot frame, and ledge frame. These frames can pass between one another powered by hydraulic cylinders.

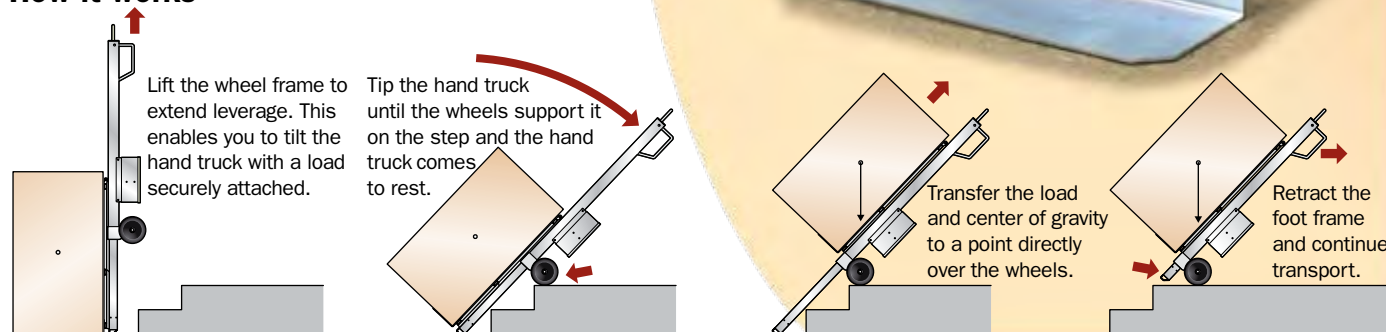
The design moves the center of gravity and adjusts the leverage so that you do as little of the work as possible.

The hand truck is controlled by means of easy-access toggle switches.

Each wheel has its own safety brake, which prevents the hand truck from rolling unintentionally. The brakes are set and released individually via easy-access levers.



How it works



Technical data

Weight:	approximately 90 kg
Length:	515 mm
Height:	1635 mm
Width:	600 mm
Max. load:	500 kg
Max vertical lift:	1000 mm
Battery:	maintenance-free, 12V
Battery capacity:	17 Ah
Operating capacity, fully charged:	40 min*
(*at 70% of max power)	

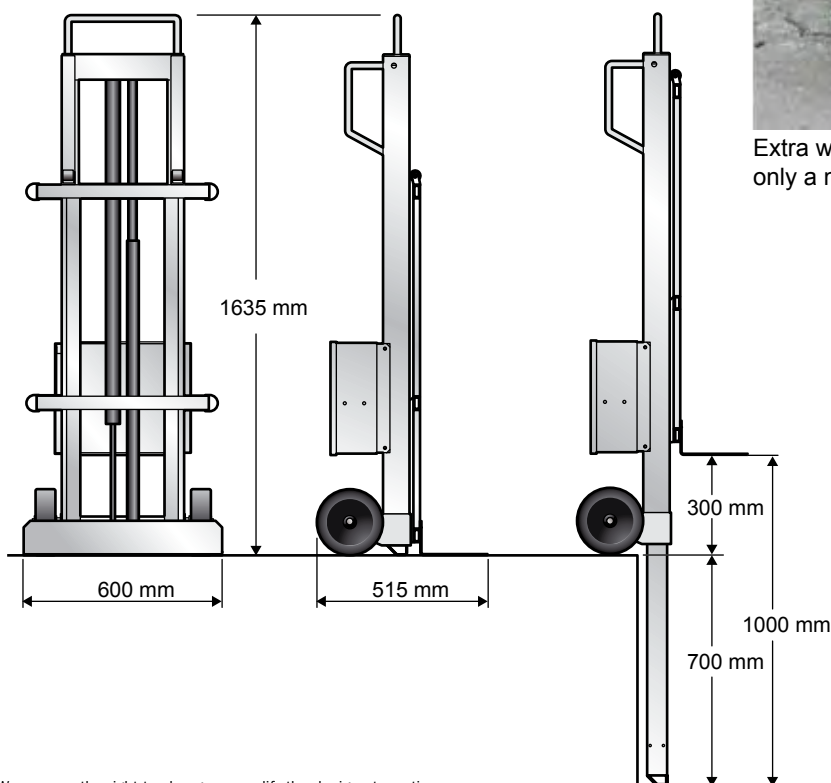
The hand truck comes with battery charger and two binding straps.

Accessories

- **Extra pair of wheels** with greater buoyancy for transport over grass or soft terrain.



Extra wheels (accessories) can be attached in only a matter of seconds.



We reserve the right to change or modify the design at any time